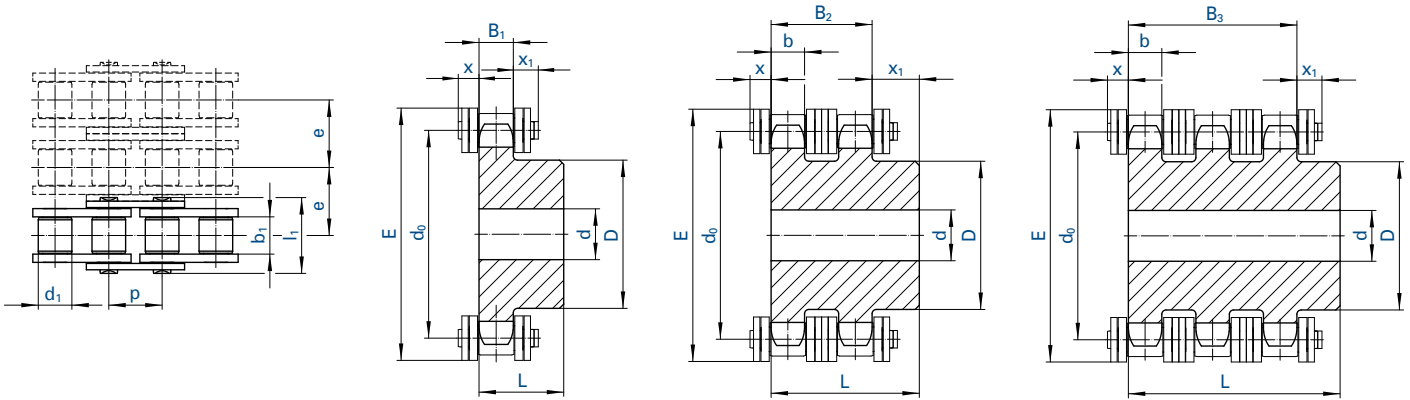


Chain		Pitch	Inner width	Roller Ø	Width over pin	Tooth width	Projection		
ISO		p	b ₁ min.	d ₁ max.	l ₁ max.	B ₁	x max.	x ₁ max.	
No.	Ind.	No.	mm	mm	mm	mm	mm	mm	
445		04	6,0	2,8	4,0	7,4	2,6	2,5	3,0
450		05B-1	8,0	3,0	5,0	8,6	2,8	5,4	6,1

Number of teeth	z	445 (04)					450 (05B-1)				
		d ₀	E _{max}	d	D	L	d ₀	E _{max}	d	D	L
	Ind.	mm	mm	mm	mm	mm	mm	mm	mm	mm	mm
10		19,42	25	6	13	10	25,89	34	8	17	12
11		21,30	27	6	14	10	28,40	36	8	18	13
12		23,18	29	6	16	10	30,91	39	8	20	13
13		25,07	31	8	18	10	33,43	41	8	23	13
14		26,96	33	8	20	10	35,95	44	8	25	13
15		28,86	35	8	20	10	38,48	46	8	28	13
16		30,75	36	8	20	13	41,01	49	8	30	14
17		32,65	38	8	20	13	43,54	51	8	30	14
18		34,55	40	8	20	13	46,07	54	8	30	14
19		36,45	42	8	20	13	48,60	57	8	30	14
20		38,36	44	8	20	13	51,14	59	8	30	14
21		40,26	46	8	25	13	53,68	62	8	35	14
22		42,16	48	8	25	13	56,21	64	8	35	14
23		44,06	50	8	25	13	58,75	67	8	35	14
24		45,97	51	8	25	13	61,29	69	8	35	14
25		47,87	53	8	25	13	63,83	72	8	35	14
26		49,78	55	8	30	15	66,37	74	10	40	16
27		51,68	57	8	30	15	68,91	77	10	40	16
28		53,59	59	8	30	15	71,45	79	10	40	16
29		55,49	61	8	30	15	73,99	82	10	40	16
30		57,40	63	8	30	15	76,53	84	10	40	16
32		61,21	67	8	30	15	81,62	90	10	40	16
34		65,03	71	8	30	15	86,70	94	10	40	16
35		66,93	73	8	30	15	89,25	97	10	40	16
36		68,84	75	8	30	15	91,79	100	10	40	16
38		72,66	78	8	30	15	96,88	105	10	40	16
40		76,47	82	8	30	15	101,96	110	10	40	16

* Possibly welded-on hub

Made of steel with a strength of 500 - 600 N/mm². We supply sprockets with custom bore and groove according to specifications. For details on orders and enquiries see page 106. Other sprockets on request.

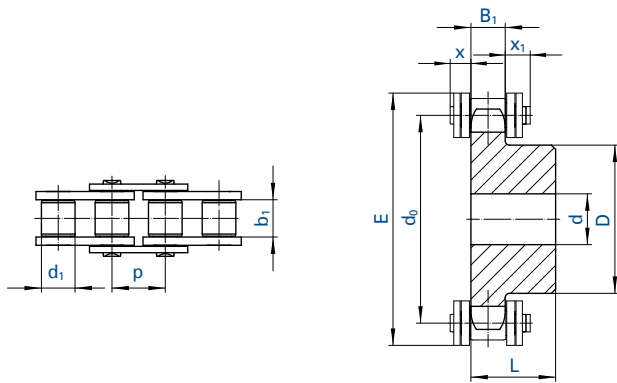


Chain		Pitch	Inner width	Roller Ø	Width over pin	Transverse pitch	Tooth width				Projection		
ISO	p	b ₁ min.	d ₁ max.	l max.	e	B ₁	b	B ₂	B ₃	x max.	x ₁ max.		
No.	Ind.	No.	mm	mm	mm	mm	mm	mm	mm	mm	mm	mm	
455		06B-1	9,525	5,72	6,35	13,5	-	5,3	-	-	-	4,5	7,8
D 455		06B-2	9,525	5,72	6,35	23,8	10,24	-	5,2	15,4	-	4,5	7,8
T 455		06B-3	9,525	5,72	6,35	34,0	10,24	-	5,2	-	25,6	4,5	7,8

Number of teeth	z	Ind.	d ₀	E _{max}	455 (06B-1)			D 455 (06B-2)			T 455 (06B-3)		
					d	D	L	d	D	L	d	D	L
			mm	mm	mm	mm	mm	mm	mm	mm	mm	mm	mm
10			30,82	40	8	20	22	8	20	22	-	-	-
11			33,81	43	8	22	25	10	22	25	-	-	-
12			36,80	46	8	25	25	10	25	25	-	-	-
13			39,80	49	10	28	25	10	28	25	10	28	35
14			42,81	52	10	31	25	10	31	25	-	-	-
15			45,81	55	10	34	25	10	34	25	12	34	35
16			48,82	58	10	37	28	12	37	30	-	-	-
17			51,84	61	10	40	28	12	40	30	12	40	35
18			54,85	64	10	43	28	12	43	30	-	-	-
19			57,87	67	10	45	28	12	46	30	12	46	35
20			60,89	70	10	46	28	12	49	30	-	-	-
21			63,91	73	12	48	28	12	52	30	14	52	40
22			66,93	76	12	50	28	12	55	30	-	-	-
23			69,95	79	12	52	28	12	58	30	14	58	40
24			72,97	82	12	54	28	12	61	30	-	-	-
25			76,00	85	12	57	28	12	64	30	14	64	40
26			79,02	88	12	60	28	12	67	30	-	-	-
27			82,05	92	12	60	28	12	70	30	14	70	40
28			85,07	95	12	60	28	12	73	30	-	-	-
29			88,10	98	12	60	28	12	76	30	-	-	-
30			91,12	101	12	60	30	12	79	30	14	79	40
31			94,15	104	14	65	30	-	-	-	-	-	-
32			97,18	107	14	65	30	16	80	30	-	-	-
33			100,20	110	14	65	30	-	-	-	-	-	-
34			103,23	113	14	65	30	-	-	-	-	-	-
35			106,26	116	14	65	30	-	-	-	-	-	-
36			109,29	119	16	70	30	-	-	-	-	-	-
37			112,31	122	16	70	30	-	-	-	-	-	-
38			115,34	125	16	70	30	16	90	30	16	90	40
39			118,37	128	16	70	30	-	-	-	-	-	-
40			121,40	131	16	70	30	16	90	30	-	-	-
38	*		115,34	125	19	70	32	19	80	40	-	-	-
45	*		136,55	146	19	70	32	-	-	-	23	90	56
57	*		172,91	182	19	70	32	19	80	40	23	90	56

* Cast iron GG22

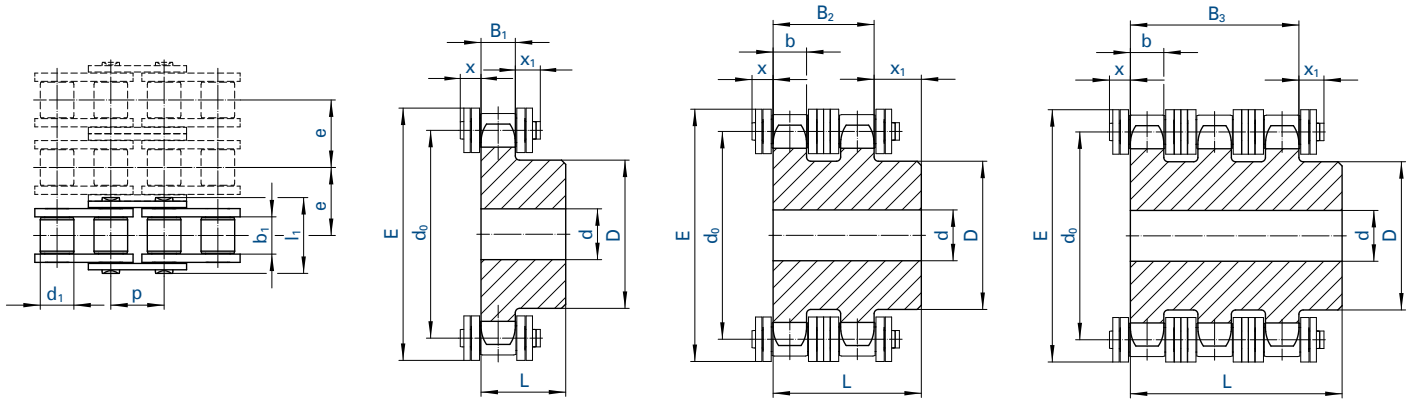
Made of steel with a strength of 500 - 600 N/mm². We supply sprockets with custom bore and groove according to specifications. For details on orders and enquiries see page 106. Other sprockets on request.



Chain		Pitch	Inner width	Roller Ø	Width over pin	Tooth width	Projection		
ISO		p	b ₁ min.	d ₁ max.	l ₁ max.	B ₁	x max.	x ₁ max.	
No.	Ind.	No.	mm	mm	mm	mm	mm	mm	
331		081	12,7	3,30	7,75	10,2	3,0	3,8	5,3
332		-	12,7	4,88	7,75	11,2	4,5	3,8	5,3

Number of teeth	331 (081)						332 / 17 / 18				
	z	d ₀	E _{max}	d	D	L	d ₀	E _{max}	d	D	L
	Ind.	mm	mm	mm	mm	mm	mm	mm	mm	mm	mm
10		41,10	51	8	28	14	41,10	51	8	28	14
11		45,08	55	8	31	16	45,08	55	8	31	16
12		49,07	59	8	35	16	49,07	59	8	35	16
13		53,07	63	8	39	16	53,07	63	8	39	16
14		57,07	67	8	43	16	57,07	67	8	43	16
15		61,08	71	8	47	16	61,08	71	8	47	16
16		65,10	75	10	50	18	65,10	75	10	50	18
17		69,12	79	10	50	18	69,12	79	10	50	18
18		73,14	84	10	50	18	73,14	84	10	50	18
19		77,16	88	10	50	18	77,16	88	10	50	18
20		81,18	92	10	50	18	81,18	92	10	50	18
21		85,21	96	12	60	20	85,21	96	12	60	20
22		89,24	100	12	60	20	89,24	100	12	60	20
23		93,27	104	12	60	20	93,27	104	12	60	20
24		97,30	108	12	60	20	97,30	108	12	60	20
25		101,33	112	12	60	20	101,33	112	12	60	20
26		105,36	116	16	70	20	105,36	116	16	70	20
27		109,40	120	16	70	20	109,40	120	16	70	20
28		113,43	124	16	70	20	113,43	124	16	70	20
29		117,46	128	16	70	20	117,46	128	16	70	20
30		121,50	132	16	70	20	121,50	132	16	70	20
34		-	-	-	-	-	137,64	148	16	70	20
36		-	-	-	-	-	145,72	156	16	70	25
38		-	-	-	-	-	153,79	165	16	70	25
40		-	-	-	-	-	161,87	173	16	70	25

Made of steel with a strength of 500 - 600 N/mm². We supply sprockets with custom bore and groove according to specifications. For details on orders and enquiries see page 106. Other sprockets on request.

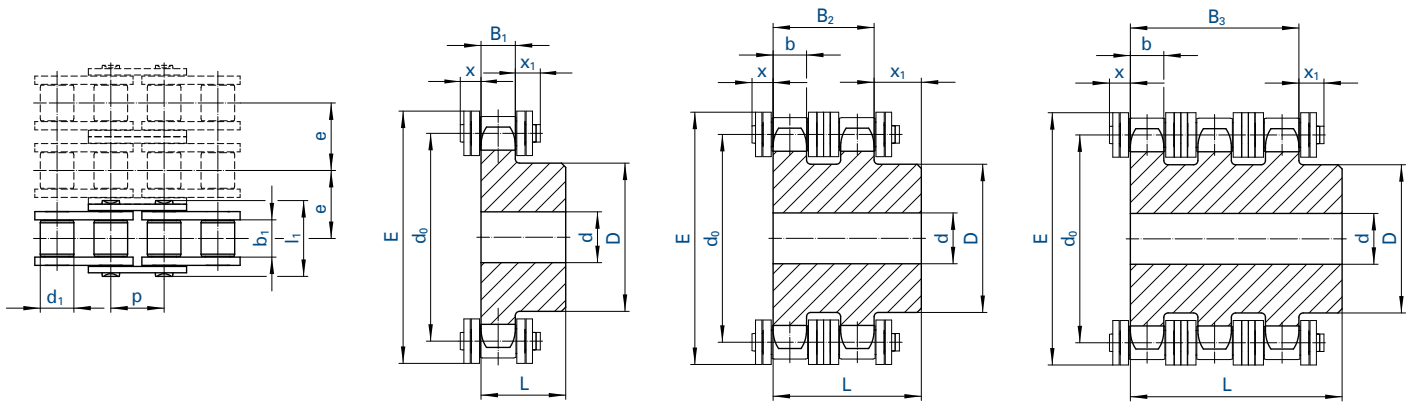


Chain		Pitch	Inner width	Roller Ø	Width over pin	Transverse pitch	Tooth width				Projection		
ISO	p	b ₁ min.	d ₁ max.	l max.	e	B ₁	b	B ₂	B ₃	x max.	x ₁ max.		
No.	Ind.	No.	mm	mm	mm	mm			mm	mm	mm		
462		08 B-1	12,7	7,75	8,51	17,0	-	7,2	-	-	5,4	9,3	
D 462		08 B-2	12,7	7,75	8,51	31,0	13,92	-	7,0	21,0	5,4	9,3	
T 462		08 B-3	12,7	7,75	8,51	44,9	13,92	-	7,0	-	34,9	5,4	9,3

Number of teeth	z	Ind.	d ₀	E _{max}	462 (08B-1)			D 462 (08B-2)			T 462 (08B-3)		
					d	D	L	d	D	L	d	D	L
			mm	mm	mm	mm	mm	mm	mm	mm	mm	mm	
10			41,10	54	10	26	25	10	28	32	-	-	-
11			45,08	58	10	29	25	12	32	35	-	-	-
12			49,07	62	10	33	28	12	35	35	-	-	-
13			53,07	66	10	37	28	12	38	35	14	38	50
14			57,07	70	10	41	28	12	42	35	-	-	-
15			61,08	74	10	45	28	12	46	35	14	46	50
16			65,10	78	12	50	28	14	50	35	-	-	-
17			69,12	82	12	52	28	14	54	35	16	54	50
18			73,14	86	12	56	28	14	58	35	-	-	-
19			77,16	90	12	60	28	14	62	35	16	62	50
20			81,18	94	12	64	28	14	66	35	-	-	-
21			85,21	98	12	68	28	16	70	40	20	70	55
22			89,24	102	12	70	28	16	70	40	-	-	-
23			93,27	106	14	70	28	16	70	40	20	70	55
24			97,30	110	14	70	28	16	75	40	-	-	-
25			101,33	114	14	70	28	16	80	40	20	80	55
26			105,36	118	16	70	30	20	85	40	-	-	-
27			109,40	122	16	70	30	20	85	40	20	85	55
28			113,43	126	16	70	30	20	90	40	-	-	-
29			117,46	130	16	80	30	20	95	40	-	-	-
30			121,50	134	16	80	30	20	100	40	20	100	55
31			125,53	138	16	90	30	-	-	-	-	-	-
32			129,57	142	16	90	30	20	100	40	-	-	-
33			133,61	146	16	90	30	-	-	-	-	-	-
34			137,64	150	16	90	30	-	-	-	-	-	-
35			141,68	154	16	90	30	20	100	40	-	-	-
36			145,72	158	16	90	35	20	110	40	-	-	-
37			149,75	162	16	90	35	-	-	-	-	-	-
38			153,79	166	16	90	35	20	110	40	25	120	55
39			157,83	170	16	90	35	-	-	-	-	-	-
40			161,87	174	16	90	35	20	110	40	-	-	-
38	*		153,79	166	-	-	-	23	90	50	23	100	60
45	*		182,06	195	19	70	40	-	-	-	-	-	-
57	*		230,54	243	19	70	40	23	90	50	23	100	60

* Cast iron GG22

Made of steel with a strength of 500 - 600 N/mm². We supply sprockets with custom bore and groove according to specifications. For details on orders and enquiries see page 106. Other sprockets on request.

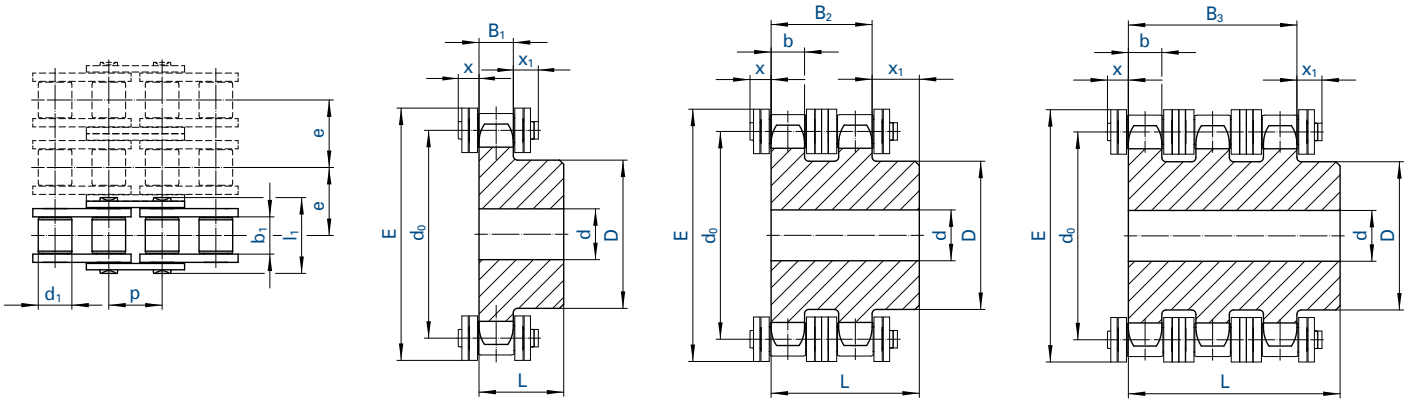


Chain		Pitch	Inner width	Roller Ø	Width over pin	Transverse pitch	Tooth width				Projection		
ISO	p	b ₁ min.	d ₁ max.	l max.	e	B ₁	b	B ₂	B ₃	x max.	x ₁ max.		
No.	Ind.	No.	mm	mm	mm	mm			mm	mm	mm		
501		10 B-1	15,875	9,65	10,16	19,6	-	9,1	-	-	-	5,6	9,7
D 501		10 B-2	15,875	9,65	10,16	36,2	16,59	-	9,0	25,5	-	5,6	9,7
T 501		10 B-3	15,875	9,65	10,16	52,8	16,59	-	9,0	-	42,1	5,6	9,7

Number of teeth		501 (10B-1)					D 501 (10B-2)			T 501 (10B-3)		
z	d ₀	E _{max}	d	D	L	d	D	L	d	D	L	
Ind.	mm	mm	mm	mm	mm	mm	mm	mm	mm	mm	mm	
10	51,37	68	10	35	25	12	35	40	-	-	-	
11	56,35	72	12	37	30	14	39	40	-	-	-	
12	61,34	77	12	42	30	14	44	40	-	-	-	
13	66,34	82	12	47	30	14	49	40	16	49	55	
14	71,34	87	12	52	30	14	54	40	-	-	-	
15	76,35	92	12	57	30	14	59	40	16	59	55	
16	81,37	97	12	60	30	16	64	45	-	-	-	
17	86,39	102	12	60	30	16	69	45	16	69	60	
18	91,42	107	14	70	30	16	74	45	-	-	-	
19	96,45	112	14	70	30	16	79	45	16	79	60	
20	101,48	117	14	75	30	16	84	45	-	-	-	
21	106,51	122	16	75	30	16	85	45	20	85	60	
22	111,55	127	16	80	30	16	90	45	-	-	-	
23	116,59	132	16	80	30	16	95	45	20	95	60	
24	121,62	137	16	80	30	16	100	45	-	-	-	
25	126,66	142	16	80	30	16	105	45	20	105	60	
26	131,70	147	20	85	35	20	110	45	-	-	-	
27	136,74	152	20	85	35	20	110	45	20	110	60	
28	141,79	157	20	90	35	20	115	45	-	-	-	
29	146,83	162	20	90	35	20	115	45	-	-	-	
30	151,87	167	20	90	35	20	120	45	20	120	60	
31	156,92	173	20	95	35	-	-	-	-	-	-	
32	161,96	178	20	95	35	20	120	45	-	-	-	
33	167,01	183	20	95	35	-	-	-	-	-	-	
34	172,05	188	20	95	35	-	-	-	-	-	-	
35	177,10	193	20	95	35	-	-	-	-	-	-	
36	182,14	198	20	100	35	-	-	-	-	-	-	
37	187,19	203	20	100	35	-	-	-	-	-	-	
38	192,24	208	20	100	35	20	120	45	25	120	60	
39	197,29	213	20	100	35	-	-	-	-	-	-	
40	202,35	218	20	100	35	20	120	45	-	-	-	
38	192,24	208	-	-	-	29	100	50	31	100	60	
45	227,58	243	19	80	40	-	-	-	-	-	-	
57	288,18	304	23	90	45	29	100	56	31	100	63	

* Cast iron GG22

Made of steel with a strength of 500 - 600 N/mm². We supply sprockets with custom bore and groove according to specifications. For details on orders and enquiries see page 106. Other sprockets on request.

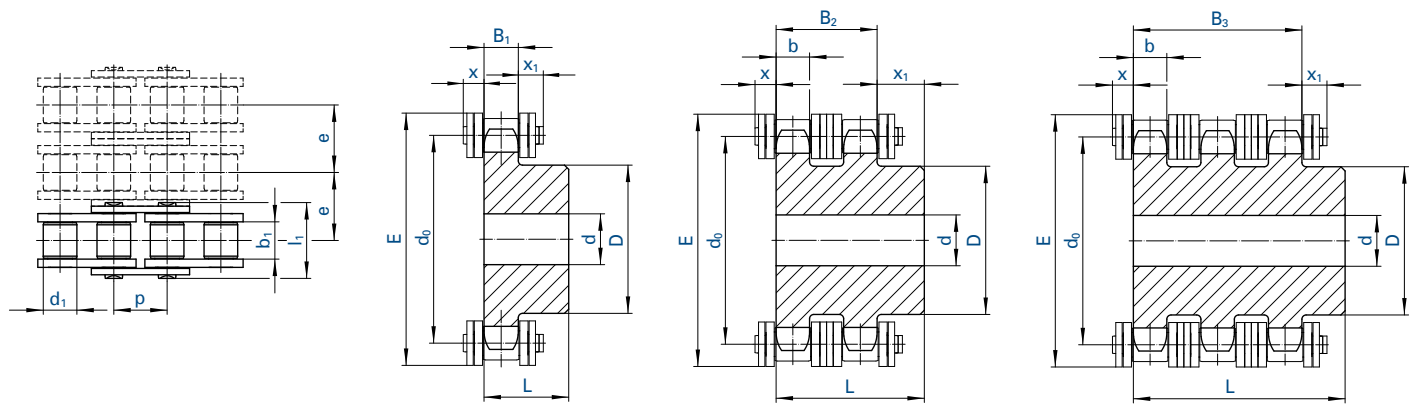


Chain		Pitch	Inner width	Roller Ø	Width over pin	Transverse pitch	Tooth width				Projection		
⚙	ISO	p	b ₁ min.	d ₁ max.	l max.	e	B ₁	b	B ₂	B ₃	x max.	x ₁ max.	
No.	Ind.	No.	mm	mm	mm	mm				mm	mm	mm	
513		12 B-1	19,05	11,68	12,07	22,7	-	11,1	-	-	-	6,4	11,0
D 513		12 B-2	19,05	11,68	12,07	42,2	19,46	-	10,8	30,3	-	6,4	11,0
T 513		12 B-3	19,05	11,68	12,07	61,7	19,46	-	10,8	-	49,8	6,4	11,0

Number of teeth		513 (12 B-1)					D 513 (12 B-2)			T 513 (12 B-3)		
z	d ₀	E _{max}	d	D	L	d	D	L	d	D	L	
	Ind.	mm	mm	mm	mm	mm	mm	mm	mm	mm	mm	
10		61,65	79	12	42	30	12	42	45	-	-	-
11		67,62	85	14	46	35	16	47	50	-	-	-
12		73,6	91	14	52	35	16	53	50	-	-	-
13		79,6	97	14	58	35	16	59	50	20	59	70
14		85,61	103	14	64	35	16	65	50	-	-	-
15		91,62	109	14	70	35	16	71	50	20	71	70
16		97,65	115	16	75	35	20	77	50	-	-	-
17		103,67	121	16	80	35	20	83	50	20	83	70
18		109,71	127	16	80	35	20	89	50	-	-	-
19		115,74	133	16	80	35	20	95	50	20	95	70
20		121,78	139	16	80	35	20	100	50	-	-	-
21		127,82	145	20	90	40	20	100	50	20	100	70
22		133,86	151	20	90	40	20	100	50	-	-	-
23		139,9	157	20	90	40	20	110	50	20	110	70
24		145,95	163	20	90	40	20	110	50	-	-	-
25		151,99	169	20	90	40	20	120	50	20	120	70
26		158,04	176	20	95	40	20	120	50	-	-	-
27		164,09	182	20	95	40	20	120	50	-	-	-
28		170,14	188	20	95	40	20	120	50	-	-	-
29		176,2	194	20	95	40	20	120	50	-	-	-
30		182,25	200	20	95	40	20	120	50	20	120	70
31		188,3	206	20	100	40	-	-	-	-	-	-
32		194,35	212	20	100	40	-	-	-	-	-	-
33		200,41	218	20	100	40	-	-	-	-	-	-
34		206,46	224	20	100	40	-	-	-	-	-	-
35		212,52	230	20	100	40	-	-	-	-	-	-
36		218,57	236	20	100	40	-	-	-	-	-	-
37		224,63	242	20	100	40	-	-	-	-	-	-
38		230,69	248	20	100	40	25	120	50	25	130	70
39		236,74	254	20	100	40	-	-	-	25	130	70
40		242,8	260	20	100	40	25	120	50	-	-	-
38	*	230,69	248	-	-	-	23	130	63	31	140	70
45	*	273,09	290	23	100	56	-	-	-	-	-	-
57	*	345,81	363	29	100	56	29	130	63	39	140	70

* Cast iron GG22

Made of steel with a strength of 500 - 600 N/mm². We supply sprockets with custom bore and groove according to specifications. For details on orders and enquiries see page 106. Other sprockets on request.

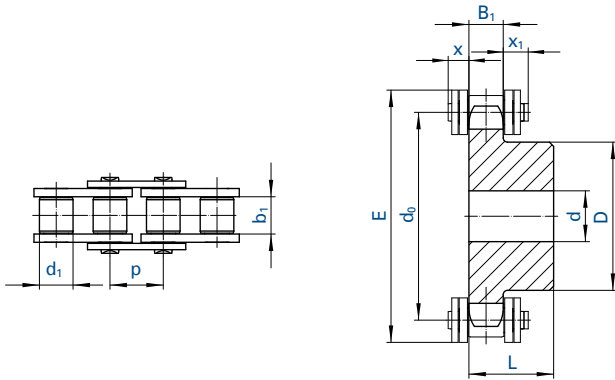


Chain		Pitch	Inner width	Roller \varnothing	Width over pin	Transverse pitch	Tooth width				Projection		
	ISO	p	b_1 min.	d_1 max.	l max.	e	B_1	b	B_2	B_3	x max.	x_1 max.	
No.	Ind.	No.	mm	mm	mm	mm				mm	mm	mm	
548		16 B-1	25,4	17,02	15,88	36,1	-	16,2	-	-	-	10,8	16,2
D 548		16 B-2	25,4	17,02	15,88	68,0	31,88	-	15,8	47,7	-	10,8	16,2
T 548		16 B-3	25,4	17,02	15,88	99,9	31,88	-	15,8	-	79,6	10,8	16,2

Number of teeth	z	Ind.	d_0	E_{max}	548 (16 B-1)			D 548 (16 B-2)			T 548 (16 B-3)		
					d	D	L	d	D	L	d	D	L
			mm	mm	mm	mm	mm	mm	mm	mm	mm	mm	mm
10			82,2	104	16	55	35	16	56	65	-	-	-
11			90,16	112	16	61	40	20	64	70	25	64	100
12			98,14	120	16	69	40	20	72	70	-	-	-
13			106,14	128	16	78	40	20	80	70	25	80	100
14			114,15	136	16	84	40	20	88	70	-	-	-
15			122,17	144	16	92	40	20	96	70	25	96	100
16			130,2	152	20	100	45	20	104	70	-	-	-
17			138,23	160	20	100	45	20	112	70	30	112	100
18			146,27	168	20	100	45	20	120	70	-	-	-
19			154,32	176	20	100	45	20	128	70	30	128	100
20			162,37	184	20	100	45	20	130	70	-	-	-
21			170,42	192	20	110	50	25	130	70	30	130	100
22			178,48	200	20	110	50	25	130	70	-	-	-
23			186,54	208	20	110	50	25	130	70	30	130	100
24			194,6	216	20	110	50	25	130	70	-	-	-
25			202,66	224	20	110	50	25	130	70	30	130	100
26			210,72	232	20	120	50	25	130	70	-	-	-
27			218,79	240	20	120	50	25	130	70	-	-	-
28			226,86	248	20	120	50	25	130	70	-	-	-
29			234,93	256	20	120	50	25	130	70	-	-	-
30			243	265	20	120	50	25	130	70	30	130	100
32			259,14	281	25	120	50	-	-	-	-	-	-
34			275,29	297	25	120	50	-	-	-	-	-	-
35			283,36	305	25	120	50	-	-	-	-	-	-
36			291,43	313	25	120	50	-	-	-	-	-	-
38			307,58	329	25	120	50	25	140	70	30	140	100
40			323,74	345	25	120	50	25	140	70	-	-	-
45	*		364,12	386	29	125	70	-	-	-	-	-	-
57	*		461,08	483	34	125	70	39	160	90	44	165	100

* Cast iron GG22

Made of steel with a strength of 500 - 600 N/mm². We supply sprockets with custom bore and groove according to specifications. For details on orders and enquiries see page 106. Other sprockets on request.

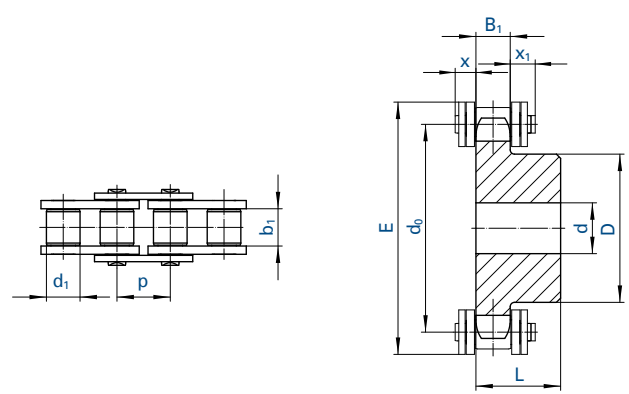


Chain		Pitch	Inner width	Roller Ø	Width over pin	Tooth width	Projection	
ISO		p	b ₁ min.	d ₁ max.	l ₁ max.	B ₁	x max.	x ₁ max.
No.	Ind.	No.	mm	mm	mm	mm	mm	mm
563		20 B-1	31,75	19,56	19,05	43,2	18,5	12,8
596		24 B-1	38,10	25,40	25,40	53,4	24,1	16,0

Number of teeth	563 (20 B-1)						596 (24 B-1)				
	z	d ₀	E _{max}	d	D	L	d ₀	E _{max}	d	D	L
	Ind.	mm	mm	mm	mm	mm	mm	mm	mm	mm	mm
10		102,75	130	20	70	40	123,30	157	20	80	45
11		112,69	139	20	77	45	135,23	169	25	90	50
12		122,67	149	20	88	45	147,21	181	25	102	50
13		132,67	159	20	98	45	159,21	193	25	114	50
14		142,68	169	20	108	45	171,22	205	25	128	50
15		152,71	179	20	118	45	183,25	217	25	140	50
16		162,74	190	25	120	50	195,29	229	25	140	55
17		172,79	200	25	120	50	207,35	241	25	140	55
18		182,84	210	25	120	50	219,41	253	25	140	55
19		192,90	220	25	120	50	231,48	265	25	140	55
20		202,96	230	25	120	50	243,55	277	25	140	55
21		213,03	240	25	140	55	255,63	289	25	150	60
22		223,10	250	25	140	55	267,72	302	25	150	60
23		233,17	260	25	140	55	279,81	314	25	150	60
24		243,25	270	25	140	55	291,90	326	25	150	60
25		253,32	280	25	140	55	303,99	338	25	150	60

* Possibly welded-on hub

Made of steel with a strength of 500 - 600 N/mm². We supply sprockets with custom bore and groove according to specifications. For details on orders and enquiries see page 106. Other sprockets on request.



Chain		Pitch	Inner width	Roller Ø	Width over pin	Tooth width	Projection	
⚙		p	b ₁ min.	d ₁ max.	l ₁ max.	B ₁	x max.	x ₁ max.
No.	Ind.	mm	mm	mm	mm	mm	mm	mm
455 RF		9,525	5,72	6,35	13,5	5,3	4,5	7,8
462 RF		12,700	7,75	8,51	17,0	7,2	5,4	9,3
501 RF		15,875	9,65	10,16	19,6	9,1	5,6	9,7
513 RF		19,050	11,68	12,07	22,7	11,1	6,4	11,0
548 RF		25,400	17,02	15,88	36,1	16,2	10,8	16,2

Number of teeth		455 RF					462 RF					501 RF				
		d ₀	E _{max}	d	D	L	d ₀	E _{max}	d	D	L	d ₀	E _{max}	d	D	L
z	Ind.	mm	mm	mm	mm	mm	mm	mm	mm	mm	mm	mm	mm	mm	mm	mm
13		39,79	49	10	28	25	53,06	66	10	37	28	66,32	82	12	47	30
15		45,81	55	10	34	25	61,09	74	10	45	28	76,36	92	12	57	30
17		51,83	61	10	40	28	69,11	82	12	52	28	86,39	102	12	60	30
19		57,87	67	10	45	28	77,16	90	12	60	28	96,45	112	14	70	30
21		63,91	73	12	48	28	85,22	98	14	68	28	106,52	122	16	80	30
23		69,65	79	12	52	28	93,27	106	14	70	28	116,58	132	16	80	30
25		76,00	85	12	57	28	101,33	114	14	70	28	126,66	142	16	80	30

Number of teeth		513 RF					548 RF				
		d ₀	E _{max}	d	D	L	d ₀	E _{max}	d	D	L
z	Ind.	mm	mm	mm	mm	mm	mm	mm	mm	mm	
13		79,59	97	16	58	35	106,12	128	16	78	40
15		91,63	109	16	70	35	122,17	144	16	92	40
17		103,67	121	16	80	35	138,22	160	20	100	45
19		115,75	133	16	80	35	154,33	176	20	100	45
21		127,82	145	20	90	40	170,43	192	20	110	50
23		139,90	157	20	90	40	186,54	208	20	110	50
25		152,00	169	20	90	40	202,66	224	20	110	50

Other sprockets made of stainless steel or plastic are available on request.